

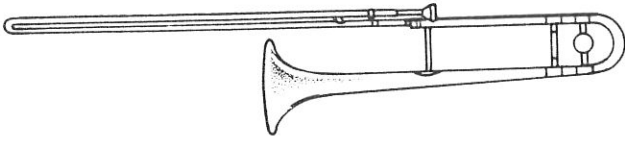
Name \_\_\_\_\_ CLASS \_\_\_\_\_



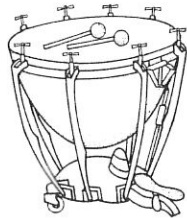
RESOURCE MASTER 1•2 Practice

### The Four Instrument Families

Write the instrument name below each picture. Then name the instrument family (woodwind, brass, percussion, string).



1. \_\_\_\_\_  
\_\_\_\_\_



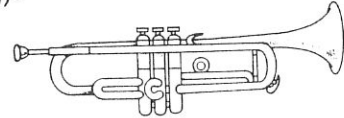
2. \_\_\_\_\_  
\_\_\_\_\_



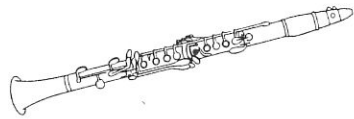
3. \_\_\_\_\_  
\_\_\_\_\_



4. \_\_\_\_\_  
\_\_\_\_\_



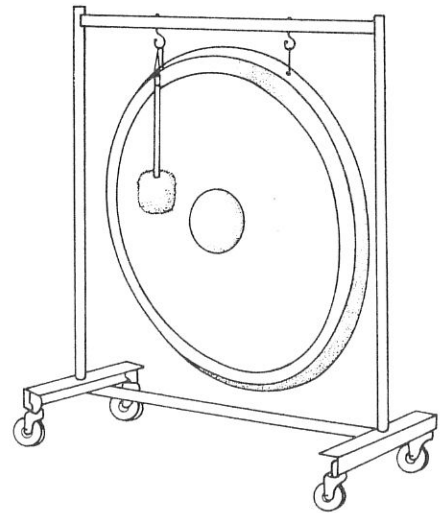
5. \_\_\_\_\_  
\_\_\_\_\_



6. \_\_\_\_\_  
\_\_\_\_\_



7. \_\_\_\_\_  
\_\_\_\_\_



8. \_\_\_\_\_  
\_\_\_\_\_